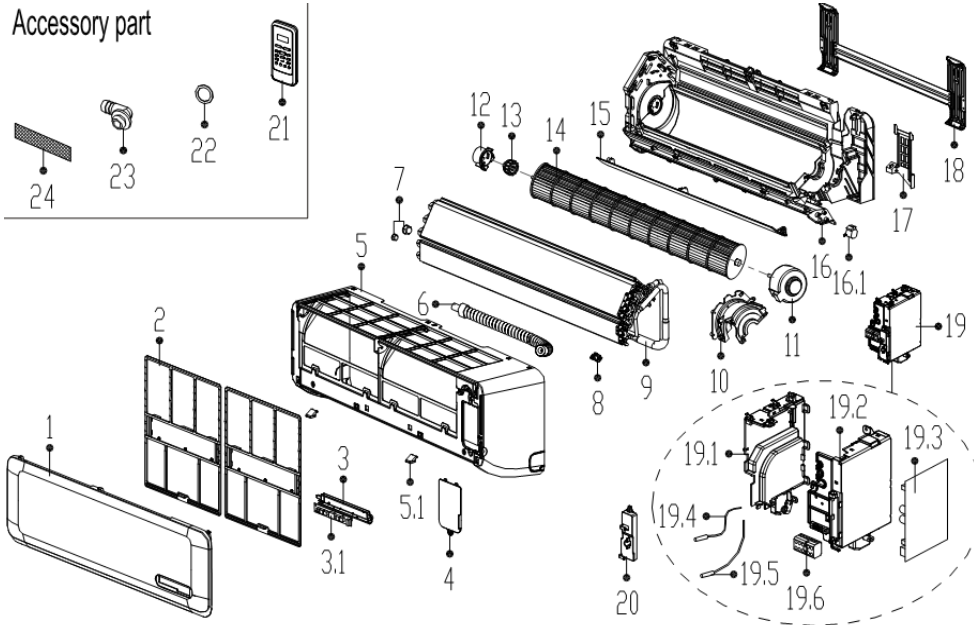


DuctlessAire Exploded View DA1815-H2/I - 18000 BTU Indoor Unit



No.	Part Name	Quantity	BOM Code	Link
1	Panel assembly	1	16122000A05309	Buy Here
2	Filter	2	12100204000652	Buy Here
3	Structure Subassembly of Display Box	1	17222000A00802	Buy Here
3.1	VLED Display Module	1	17122000A02364	Buy Here
4	E-Parts Cover Plate	1	12122000006694	Buy Here
5	frame assembly	1	12122000001961	Buy Here
5.1	Screw Cap	2	12122000006272	Buy Here
6	Drain Hose	1	12100501000021	Buy Here
7	Brass Nut	1	15500406000016	Buy Here
7	Brass Nut	1	15500406000012	Buy Here
8	Temperature Sensing Element Fixing clip	1	12100303000008	Buy Here
9	Evaporator assembly Gas valve assembly	1	15822000A00467	Buy Here
10	Motor Bearing Cover	1	12122000005504	Buy Here
11	Single-phase Asynchronous Motor	1	11002012000732	Buy Here
12	Bearing sleeve	1	12122000000350	Buy Here
13	Bearing pedestal	1	12622000000006	Buy Here
14	Cross-flow window rotor	1	12100102000003	Buy Here
15	Wind guide Subassembly	1	12122000005110	Buy Here
16	Chassis Assembly	1	12122000003901	Buy Here
16.1	stepper motor	1	11002010000143	Buy Here
17	Pipe Pressing Board	1	12122000000445	Buy Here
18	Installation Plate	1	12222000000011	Buy Here
19	Electrical Control Box Subassembly	1	17222000005233	Buy Here
19.1	Electrical Control Box	1	12122000004586	Buy Here
19.2	Electrical Control Box	1	12122000004565	Buy Here
19.3	Indoor Main Control Board Subassembly	1	17122000011059	Buy Here
19.4	Room Temperature Sensor	1	11201007000221	Buy Here
19.5	Temperature Sensor	1	11201007000001	Buy Here
19.6	Wire holder	1	17400401000006	Buy Here
20	Electrical Control Box Cover	1	12122000004994	Buy Here
21	Remote controller	1	17317000A04431	Buy Here
22	Seal	1	12600701000039	Buy Here
23	Extend Water Pipe	1	12100509000061	Buy Here
24	Filter net of 3M filter	1	12122000008249	Buy Here