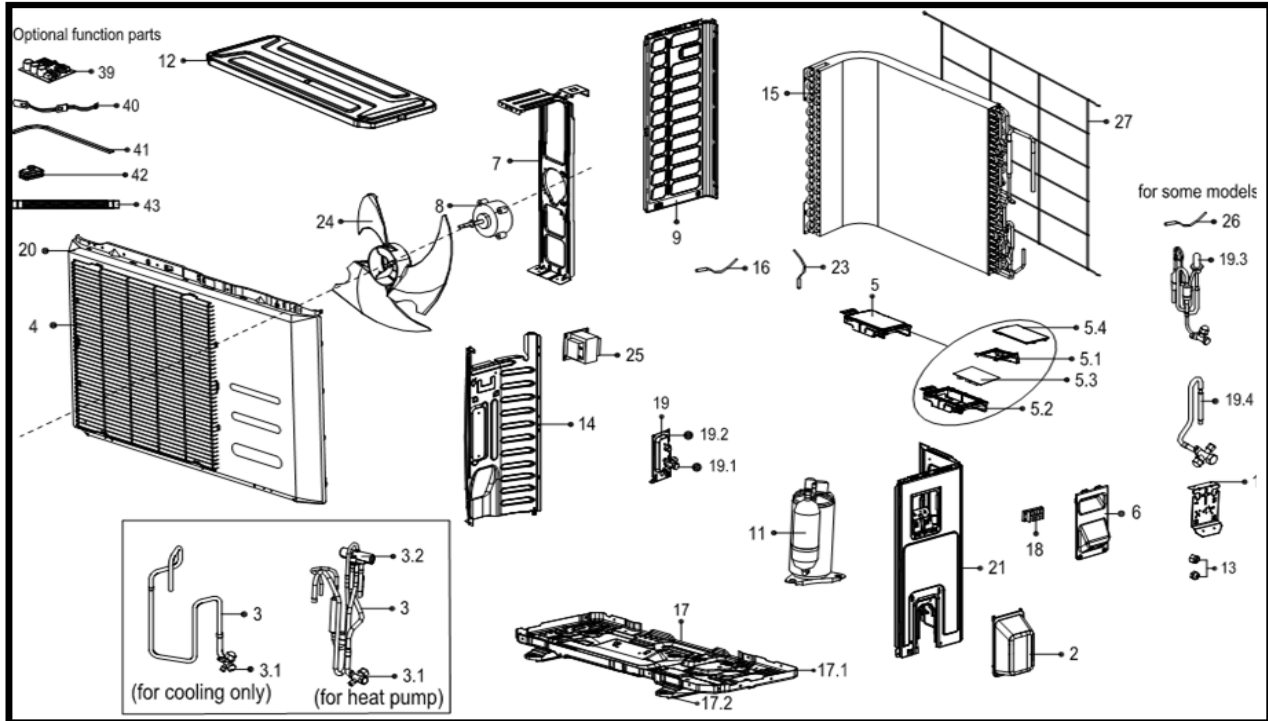


DA1821-H2-O - 18000 BTU OUTDOOR UNIT



No.	Part Name	Model#	Quantity	BOM Code	Link
1	Terminal board	DA1821-H2-O	1	12222000004782	Buy Here
2	Water collector	DA1821-H2-O	1	12122000007150	Buy Here
3	4-way valve assembly	DA1821-H2-O	1	15422000004873	Buy Here
3.1	Gas valve	DA1821-H2-O	1	15500204000046	Buy Here
3.2	4-way valve	DA1821-H2-O	1	15500216000026	Buy Here
4	Air outlet grille	DA1821-H2-O	1	12222000007425	Buy Here
5	Electronic control box assembly	DA1821-H2-O	1	17222000A15869	Buy Here
5.1	Support of electronic control box	DA1821-H2-O	1	12122000014683	Buy Here
5.2	Cover of electronic control box	DA1821-H2-O	1	12222000004827	Buy Here
5.3	Outdoor main control board assembly	DA1821-H2-O	1	17222000A15869	Buy Here
5.4	Cover of electronic control box	DA1821-H2-O	1	12122000006856	Buy Here
6	Big handle	DA1821-H2-O	1	12222000005102	Buy Here
7	Supporter assembly of fan motor	DA1821-H2-O	1	12222000004884	Buy Here
8	Fan motor	DA1821-H2-O	1	11002015000397	Buy Here
9	Left side plate assembly	DA1821-H2-O	1	12222000004831	Buy Here
11	Compressor	DA1821-H2-O	1	11103020000006	Buy Here
12	Top cover assembly	DA1821-H2-O	1	12222000004835	Buy Here
13	Copper nut	DA1821-H2-O	1	15500406000012	Buy Here
13	Copper nut	DA1821-H2-O	1	15500406000016	Buy Here
14	Partition board assembly	DA1821-H2-O	1	12222000004784	Buy Here
15	Condenser assembly	DA1821-H2-O	1	15822000A07849	Buy Here
16	Ambient temperature sensor assembly	DA1821-H2-O	1	11201007000039	Buy Here
17	Chassis assembly	DA1821-H2-O	1	12222000A01111	Buy Here
17.1	Chassis	DA1821-H2-O	1	12222000A03111	Buy Here
18	Wire joint	DA1821-H2-O	1	17400401000075	Buy Here
19	Liquid valve assembly	DA1821-H2-O	1	15422000004952	Buy Here
19.1	Liquid valve	DA1821-H2-O	1	15500208000028	Buy Here
19.2	Valve plate	DA1821-H2-O	1	12222000002571	Buy Here
19.3	Electronic expansion valve	DA1821-H2-O	1	15500213000047	Buy Here
20	Front panel	DA1821-H2-O	1	12222000006304	Buy Here
21	Right side plate	DA1821-H2-O	1	12222000004830	Buy Here
23	Pipe temperature sensor assembly	DA1821-H2-O	1	11201007000069	Buy Here
24	Axial flow fan	DA1821-H2-O	1	12100105000181	Buy Here
25	Reactor	DA1821-H2-O	1	17400306000053	Buy Here
26	Discharge temperature sensor assembly	DA1821-H2-O	1	11201007000005	Buy Here
27	Rear net	DA1821-H2-O	1	12222000004833	Buy Here
40	Crankcase electric heater	DA1821-H2-O	1	17402001000008	Buy Here
41	Electric heater of chassis	DA1821-H2-O	1	17402002000043	Buy Here
99	Compressor wire assembly	DA1821-H2-O	1	174012030000939	Buy Here