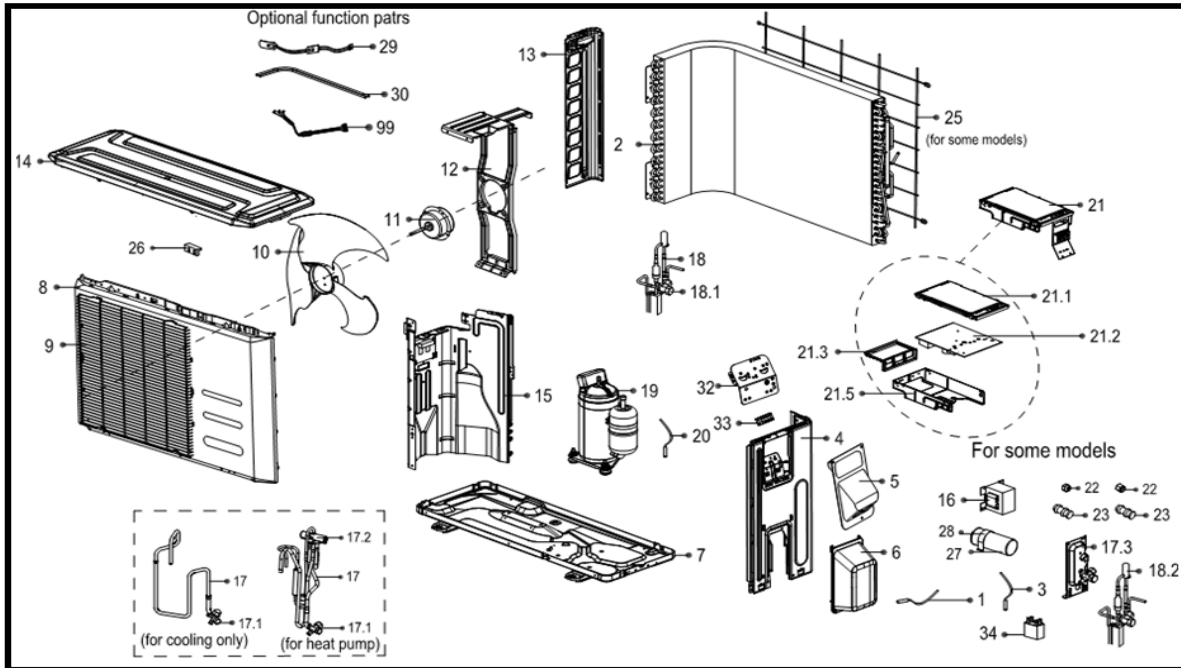


## DA1221-H2-O - 12000 BTU OUTDOOR UNIT



No.	Part Name	Model#	Quantity	BOM Code	Link
1	Ambient temperature sensor assembly	DA1221-H2-O	1	11201007000039	<a href="#">Buy Here</a>
2	Condenser assembly	DA1221-H2-O	1	15822000A04253	<a href="#">Buy Here</a>
3	Pipe temperature sensor assembly	DA1221-H2-O	1	11201007000136	<a href="#">Buy Here</a>
4	Right clapboard assembly	DA1221-H2-O	1	12222000005745	<a href="#">Buy Here</a>
5	Big handle	DA1221-H2-O	1	12222000005102	<a href="#">Buy Here</a>
6	Water collector	DA1221-H2-O	1	12122000007150	<a href="#">Buy Here</a>
7	Chassis assembly	DA1221-H2-O	1	12222000005062	<a href="#">Buy Here</a>
8	Front panel	DA1221-H2-O	1	12222000004463	<a href="#">Buy Here</a>
9	Air outlet grille	DA1221-H2-O	1	12222000007424	<a href="#">Buy Here</a>
10	Axial flow fan	DA1221-H2-O	1	12100105000051	<a href="#">Buy Here</a>
11	Fan Motor	DA1221-H2-O	1	11002015000041	<a href="#">Buy Here</a>
12	Supporter assembly of fan motor	DA1221-H2-O	1	12222200001462	<a href="#">Buy Here</a>
13	Left supporter	DA1221-H2-O	1	12222000008484	<a href="#">Buy Here</a>
14	Top cover assembly	DA1221-H2-O	1	12222000002451	<a href="#">Buy Here</a>
15	Partition board assembly	DA1221-H2-O	1	12222000003984	<a href="#">Buy Here</a>
17	4-Ways valve assembly	DA1221-H2-O	1	15422000004933	<a href="#">Buy Here</a>
17.1	Gas valve	DA1221-H2-O	1	15500204000058	<a href="#">Buy Here</a>
17.2	4-Ways valve	DA1221-H2-O	1	15500216000028	<a href="#">Buy Here</a>
17.3	Valve plate	DA1221-H2-O	1	12222000002571	<a href="#">Buy Here</a>
18	Liquid valve assembly	DA1221-H2-O	1	15422000004932	<a href="#">Buy Here</a>
18.1	Liquid valve	DA1221-H2-O	1	15500208000028	<a href="#">Buy Here</a>
18.2	Electronic expansion valve	DA1221-H2-O	1	15500213000047	<a href="#">Buy Here</a>
19	Compressor	DA1221-H2-O	1	11103020000479	<a href="#">Buy Here</a>
20	Discharge temperature sensor assembly	DA1221-H2-O	1	11201007000005	<a href="#">Buy Here</a>
21	Electronic control box assembly	DA1221-H2-O	1	17222000A16228	<a href="#">Buy Here</a>
21.2	Outdoor main control board assembly	DA1221-H2-O	1	17222000A16228	<a href="#">Buy Here</a>
21.3	Support of electronic control box	DA1221-H2-O	1	12122000006913	<a href="#">Buy Here</a>
21.5	Electronic installing box	DA1221-H2-O	1	12222000001311	<a href="#">Buy Here</a>
22	Copper nut	DA1221-H2-O	1	15500406000012	<a href="#">Buy Here</a>
22	Copper nut	DA1221-H2-O	1	15500406000016	<a href="#">Buy Here</a>
25	Rear net	DA1221-H2-O	1	12222000003622	<a href="#">Buy Here</a>
30	Electric heater of chassis	DA1221-H2-O	1	17402002000042	<a href="#">Buy Here</a>
32	Electronic installing box	DA1221-H2-O	1	12222000002259	<a href="#">Buy Here</a>
33	Wire joint	DA1221-H2-O	1	17400401000075	<a href="#">Buy Here</a>
99	Compressor wire assembly	DA1221-H2-O	1	17401203000802	<a href="#">Buy Here</a>